

Type	
Project	
Catalog No.	

6" 18W Round Regressed LED Downlight



SPECIFICATIONS

- Input Voltage: 120V AC
- Power: 18W
- Frame Color: White, Black, Brushed Nickel
- Function: Dimmable
- Beam Angle: 110°
- IC Rating: Damp Locations
- Power Factor: >0.95
- Product Size: 6"
- Certification: ETL
- Life-span: 50000 hours
- 5 Years Warranty

DESCRIPTION

6" 18 Watt Round Regressed LED Downlight come complete with an external driver in a junction box. This allows for standard 120VAC ceiling wiring and pre-drywall installation of the driver. The regressed LED and driver are cETL Listed certified for direct installation in Insulated Ceilings (IC) without any thermal housing.

FEATURES

- Air Tight & IC Rated – No Housing Required
- Fast & Easy Installation – Save Labor Cost
- Junction Box Included – No Additional Hardware Required, Direct Installation In Insulated Ceilings (IC) Without Any Thermal Housing
- Patent Design With Unique Appearance, Easier For Marketing
- Durable Die Cast Aluminum Alloy For Optimal Heat Dissipation
- White, Black, Or Brushed Nickel For Choice, Scratch Resistant And Smooth Finish
- 33 Pieces LM80 San'an 2835 LED (Each 0.5W Per Piece) Which Guarantee High Lumen And High Quality
- Isolated LED Driver With 5 Years Warranty

SPECIFICATION

Model	Wattage	Color Temp	LED Type	Lumen	Voltage	Beam Angle	Working Temp	Halogen Equivalent	CRI	Color
RG06R	18W	2700K*	Regressed	1250	120V AC	110°	-25°- +50°	120W	82	White
		3000K		1325						Black
		4000K*		1400					90*	Brushed Nickel
		5000K		1450						

*Custom Make

Ordering Information:

Example: RG06R-18W-27K-82-WH



Model

RG06R



Wattage

18W = 18 Watts



Color Temp

27K = 2700K*
30K = 3000K
40K = 4000K*
50K = 5000K



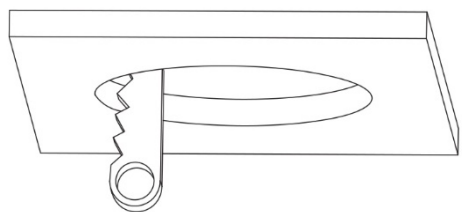
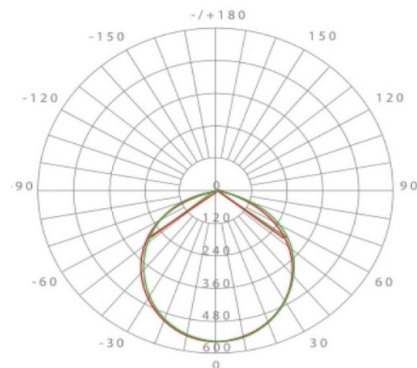
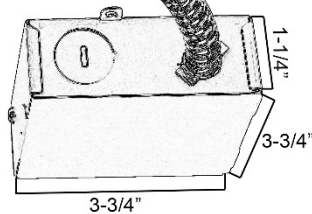
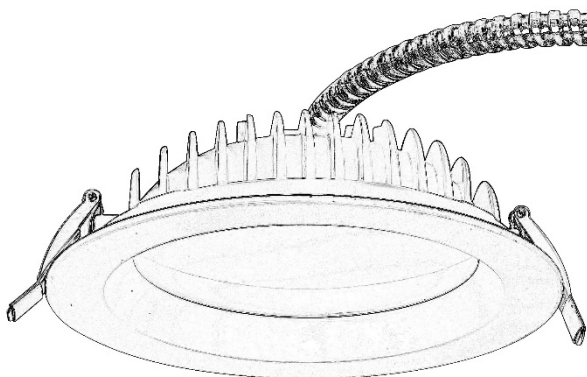
CRI

82
90*

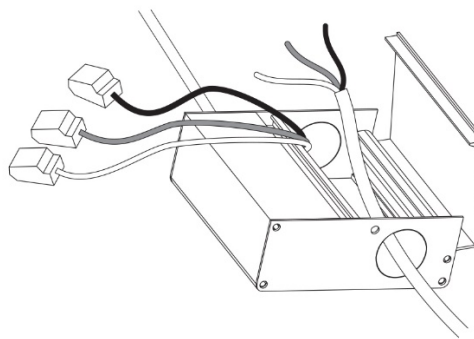


Finish

WH = White
BK = Black
BN = Brushed Nickel



Cutout: 6-5/16"



Junction Box

INSTALLATION

Connection

