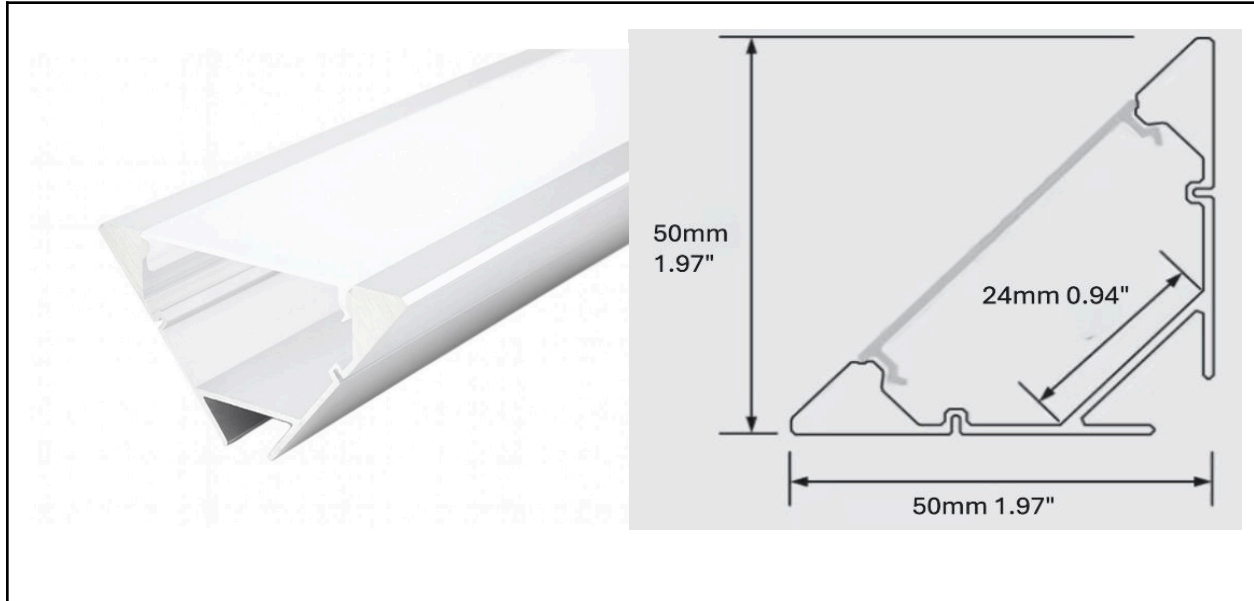




INFINITY GREEN ALP5050

MOUNTING INSTRUCTION

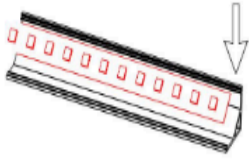


SPECIFICATION

ALUMINUM PROFILE	ALP5050
DIFFUSER	OPAL MATTE COVER
LENGTH	(6'7")
FINISH	SILVER ANODIZED
INSTALLATION	SURFACED MOUNTED

INSTALLATION

1. Stick the LED strip



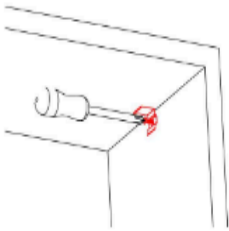
2. Press the diffused cover



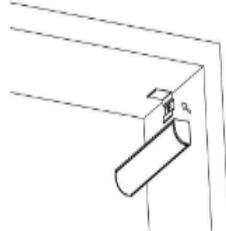
3. Insert the end caps



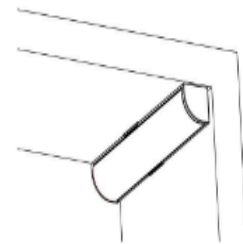
4. Install the mounting clip chosen



5. Click the fixture to the mounting clip



6. Installation completed



ACCESSORIES

EC-ALP5050



MC-ALP5050

