

Main parts needed to mount the extrusion



Aluminum profile(A)



End caps (B)



Cover (C)



LED strip (D)



Screw(E)

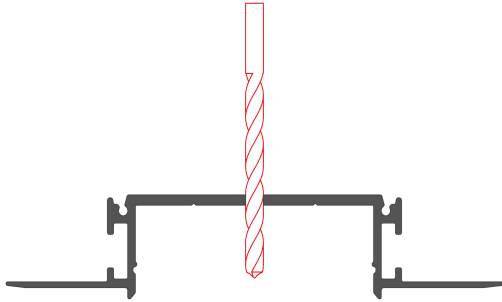
Tools needed for mounting:

Screwdriver and Drill

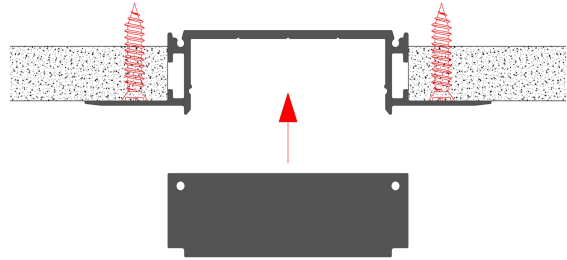
Sales@infigreen.com

Mounting Instruction

1. Drill a hole in the aluminum profile(A) for the power cable.



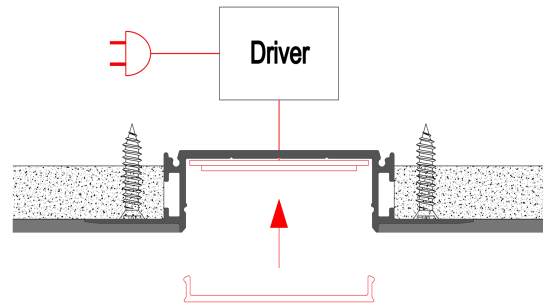
2. Mount the end caps (B), then mount the profile on the ceiling.



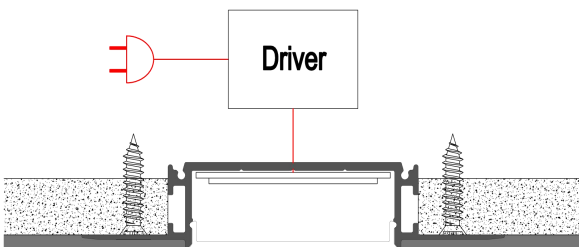
3. Apply a layer of plaster to the aluminum profile and ceiling, and then paint the surface to finish.



4. Mount the LED strip(D), insert the cover(C), lead out the power cable.



5. Run the cable to the power source, connect power.



EC-ALP6083R



End Caps

JC90-ALP6083R



Flat L Connector

JC90IL-ALP6083R



Inside 90 Degree Connector

JC90OL-ALP6083R



Outside 90 Degree Connector