



Product Description

The INFINITY GREEN Ultra Slim is the new generation of our award winning, linkable Slim Sleek Plus series. Using the same miniature profile and minimal footprint of our market leading mini LED Sleek fixture, we engineered these fixtures to incorporate the latest in LED technology. The Infinity uses the same direct- and cable-connectors making the plug and play installation quick and easy as well as making retrofitting/upgrading from fluorescent simple. Using the provided direct connector allows for end-to-end placement, reducing shadowing and allowing the light to be continuous.

| Specification Information | |
|---------------------------|-------------------------------|
| Input Voltage | 120v |
| Wattage | 5W/8W/10W/12W/15W/20W/25W |
| Lumens | 90LM/W |
| Beam Angle | 120° |
| Certification | ETL Listing |
| CRI | 90+ |
| Color Temperature (5CCT) | 2700K/3000K/3500K/4100K/6000K |
| Life Span | 35,000 Hour |
| Warranty | 2 Years Warranty |

Features

- Under and over cabinet
- Integrated into furniture, bedroom headboard, decorative trim for home, office and other location
- Dimmable Isolated Driver
- Linkable Units
- Direct AC Input
- Perfect Color with CRI 90+
- Smooth Light Source
- ETL Listed

| Wattage | Energy Saving (Output Equivalent) | Lumen (lm) | Max Linking Wattage | Dimensions |
|---------|-----------------------------------|--------------|---------------------|-------------------------------------|
| 5W | 50W | 450-500 lm | 280W | (L) 12-1/4" x (W) 3/4" x (H) 1-1/4" |
| 8W | 80W | 720-800 lm | 280W | (L) 17-1/2" x (W) 3/4" x (H) 1-1/4" |
| 10W | 100W | 900-1000 lm | 280W | (L) 22-5/8" x (W) 3/4" x (H) 1-1/4" |
| 12W | 120W | 1080-1200 lm | 280W | (L) 29" x (W) 3/4" x (H) 1-1/4" |
| 15W | 150W | 1440-1500 lm | 280W | (L) 34-1/2" x (W) 3/4" x (H) 1-1/4" |
| 20W | 200W | 1800-2000 lm | 280W | (L) 46-1/4" x (W) 3/4" x (H) 1-1/4" |
| 25W | 250W | 2250-2500 lm | 280W | (L) 58" x (W) 3/4" x (H) 1-1/4" |



Ordering Steps

Product Purchasing Guideline

| | Model Number | - | Wattage | - | Color Temperature | - | Finish |
|-----|--------------|---|---|---|-------------------------------|---|--------|
| Ex: | IG-LEDT5 | | 5W | | 5CCT | | WH |
| | IG-LEDT5 | | 5W 8W 10W 12W 15W 20W 25W | | 2700K/3000K/3500K/4100K/6000K | | WH |

WIRING DIAGRAMS

INDIVIDUAL UNIT

LINKABLE UP TO 280W



POWER CORD

CONNECTED WITH A DIRECT CONNECTOR



POWER CORD

DIRECT CONNECTOR

CONNECTED WITH A CONNECTING CABLE



POWER CORD

CONNECTING CABLE

POWER USING HARDWIRE BOX

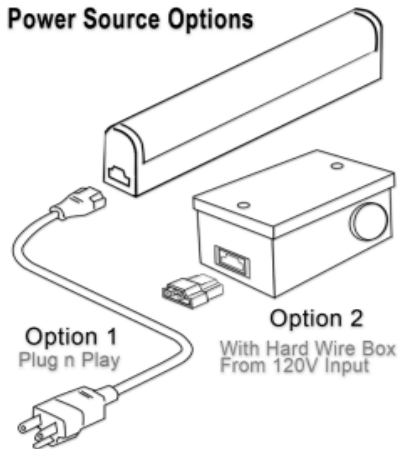


HARDWIRE BOX



CONFORMS TO
UL STD. 154
CERTIFIED TO
CSA STD. C22.2 NO.12

Power Source Options



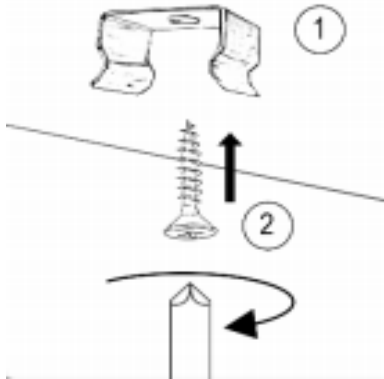
Option 1
Plug n Play

Option 2
With Hard Wire Box
From 120V Input



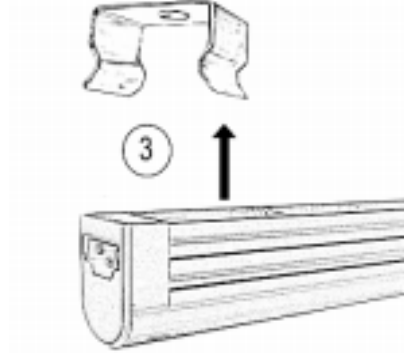
LED Lamp Installation Guide

(WARNING: Before Installation, please make sure that the power has been turn off)



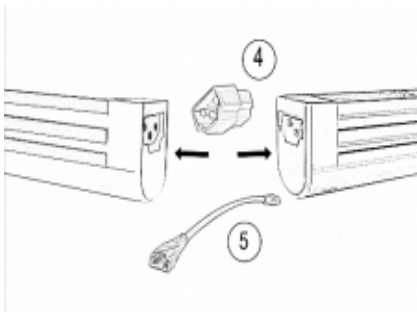
Step 1

Installing Clamp in preferred place. Choose and measure the desired place to position the two clamps. Secure position with the screws provided.



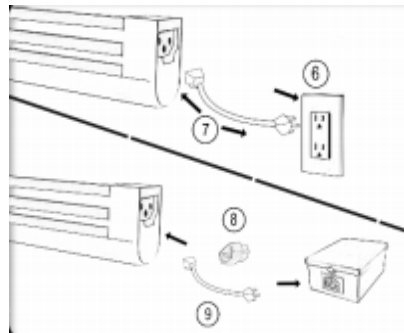
Step 2

Push the LED strip through the clamp until secured to avoid it from falling and make sure it is firmly attached.



Step 3

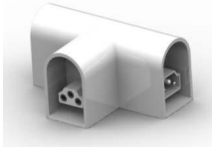
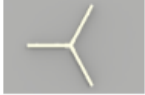




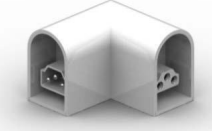


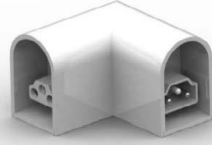


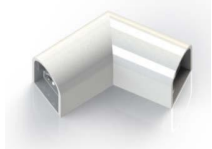

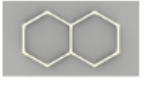




Connect the lamps with either direct connectors or linking cord. Connect up to 280W.



Steps 4

Power the fixture by connecting to power outlet using a linking cord. Using either a direct connector or linking cord to plug into a hardwire box.



| Product Accessories | | | |
|---|---------------|----------------------------|---|
| Product | Model Number | Description | Display Sample |
| IG-T5-TCON  | IG-T5-YCON | Y Connector |   |
| IG-T5-CSCON  | IG-T5-CSCON | 4 Way Cross Connector |   |
| IG-T5-LLCON  | IG-T5-LLCON | Right Angle 90°L Connector |   |
| IG-T5-LRCON  | IG-T5-LRCON | Left Angle 90° R Connector |   |
| IG-T5-120CON  | IG-T5-120°CON | 120° Connector |    |
| IG-T5-YCON  | IG-T5-TCON | T Connector |   |



| Product Accessories | | | |
|---|---|--------------------------------|--------------|
| Product | Description | Dimensions | Model Number |
|  | 3 Wire Hardwire Box with Control Switch | 3-5/8" L x 2-1/4" W x 1-3/8" H | IG-T5-HB-W/S |
|  | 3 Wire Hardwire Box | 2-3/4" L x 1-3/4" W x 1-3/8" H | IG-T5-HB |
|  | Connecting Cable | 12" | IG-T5-CC12 |
| | | 24" | IG-T5-CC24 |
| | | 36" | IG-T5-CC36 |
|  | Right Angle Connecting Cable | 12" | IG-T5-CCA12 |
| | | 24" | IG-T5-CCA24 |
| | | 36" | IG-T5-CCA36 |
|  | Power Cord | 24" | IG-T5-PC2F |
| | | 72" | IG-T5-PC6F |
| | | 96" | IG-T5-PC8F |
| | | 144" | IG-T5-PC12F |
|  | Direct Connector | | IG-T5-DC |
|  | Mounting Clip | | IG-T5-MC |
|  | Vertical/Horizontal Mounting Clip | | IG-T5-WHMC |
|  | Adjustable Mounting Clip | | IG-T5-AMC |