



Product Description

The INFINITY GREEN Ultra Slim is the new generation of our award winning, linkable Slim Sleek Plus series. Using the same miniature profile and minimal footprint of our market leading mini LED Sleek fixture, we engineered these fixtures to incorporate the latest in LED technology. The Infinity uses the same direct- and cable-connectors making the plug and play installation quick and easy as well as making retrofitting/upgrading from fluorescent simple. Using the provided direct connector allows for end-to-end placement, reducing shadowing and allowing the light to be continuous.

Specification Information

Input Voltage	120v
Wattage	5W/8W/10W/12W/15W/20W/25W
Lumens	80LM/W
Beam Angle	120°
Certification	ETL Listing
CRI	80+
Color Temperature	3000K/4100K/6500K
Life Span	50,000 Hour
Warranty	3 Years Warranty

Features

- Under and over cabinet
- Integrated into furniture, bedroom headboard, decorative trim for home, office and other other location
- Dimmable Isolated Driver
- Linkable Units
- Direct AC Input
- Perfect Color with CRI 80+
- Smooth Light Source
- ETL Listed & Energy Star Qualified

Wattage	Energy Saving (Output Equivalent)	Lumen (lm)	Max Linking Wattage	Dimensions
5W	50W	450-500 lm	280	(L) 12- ³ / ₈ " x (W) ³ / ₄ " x (H) 1- ¹ / ₄ "
8W	80W	750-800 lm	280	(L) 17- ¹ / ₂ " x (W) ³ / ₄ " x (H) 1- ¹ / ₄ "
10W	100W	950-1000 lm	280	(L) 22- ⁵ / ₈ " x (W) ³ / ₄ " x (H) 1- ¹ / ₄ "
12W	120W	1150-1200 lm	280	(L) 29" x (W) ³ / ₄ " x (H) 1- ¹ / ₄ "
15W	150W	1450-1500 lm	280	(L) 34- ¹ / ₂ " x (W) ³ / ₄ " x (H) 1- ¹ / ₄ "
20W	200W	1950-2000 lm	280	(L) 46- ³ / ₈ " x (W) ³ / ₄ " x (H) 1- ¹ / ₄ "
25W	250W	2450-2500 lm	280	(L) 58- ¹ / ₈ " x (W) ³ / ₄ " x (H) 1- ¹ / ₄ "



Ordering Steps

Product Purchasing Guideline

	Model Number	-	Wattage	-	Color Temperature	-	Finish
Ex:	IG-LEDT5		5W		3000K		WH
	IG-LEDT5		5W 8W 10W 12W 15W 20W 25W		3000K 4100K 6500K		WH

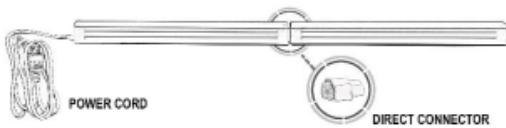
WIRING DIAGRAMS

INDIVIDUAL UNIT

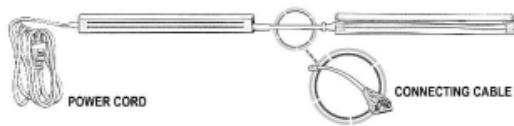
LINKABLE UP TO 280W



CONNECTED WITH A DIRECT CONNECTOR



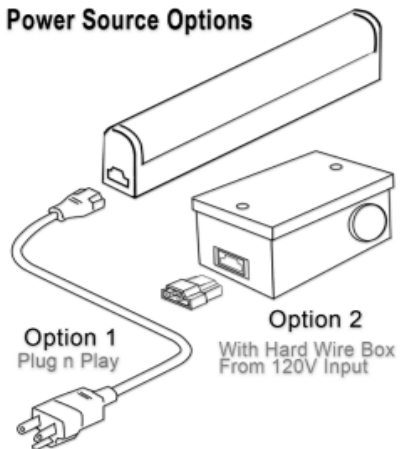
CONNECTED WITH A CONNECTING CABLE



POWER USING HARDWIRE BOX



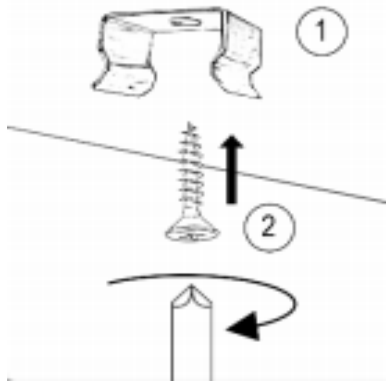
Power Source Options





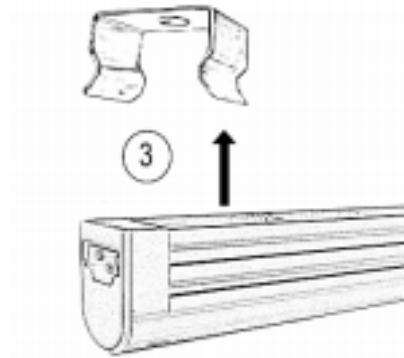
LED Lamp Installation Guide

(WARNING: Before Installation, please make sure that the power has been turn off)



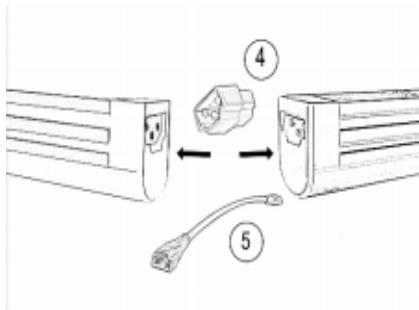
Step 1

Installing Clamp in preferred place. Choose and measure the desired place to position the two clamps. Secure position with the screws provided.



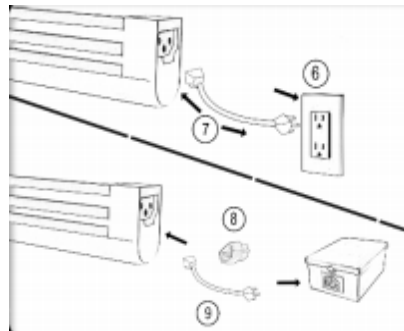
Step 2

Push the LED strip through the clamp until secured to avoid it from falling and make sure it is firmly attached.



Step 3

Connect the lamps with either direct connectors or linking cord. Connect up to 280W.



Steps 4

Power the fixture by connecting to power outlet using a linking cord. Using either a direct connector or linking cord to plug into a hardwire box.



Product Accessories			
Product	Description	Dimensions	Model Number
	3 Wire Hardwire Box with Control Switch	3- ³ / ₈ " L x 2- ¹ / ₄ " W x 1- ³ / ₈ " H	IG-T5-HB-W/S
	3 Wire Hardwire Box	2- ³ / ₈ " L x 1- ³ / ₄ " W x 1- ³ / ₈ " H	IG-T5-HB
	Connecting Cable	12"	IG-T5-CC12
		24"	IG-T5-CC24
		36"	IG-T5-CC36
	Right Angle Connecting Cable	12"	IG-T5-CCA12
		24"	IG-T5-CCA24
		36"	IG-T5-CCA36
	Power Cord	24"	IG-T5-PC2F
		72"	IG-T5-PC6F
		96"	IG-T5-PC8F
		144"	IG-T5-PC12F
	Direct Connector		IG-T5-DC
	Mounting Clip		IG-T5-MC
	Vertical/Horizontal Mounting Clip		IG-T5-WHMC
	Adjustable Mounting Clip		IG-T5-AMC