



PRODUCT FEATURES



- Output constant voltage
- Input voltage range 100-277VAC
- Built-in PFC function / PF>0.98
- Efficiency >83% / Dimming range: 0~100% / Load: 10-100%
- Protections: short circuit/overloading / Over temperature
- Cooling by free air convection / Flicker-free
- Compatible with Forward phase, Reverse phase, Triac, MLV, ELV Dimmers
- PWM output, does not change the color index
- Metal housing, suitable for dry, damp, wet location
- Strong compatibility
- Suitable for LED lighting and moving sign applications
- Compliance to worldwide safety regulations for lightings.

SPECIFICATIONS INFORMATION

INPUT

Input Voltage/Range	100 - 277V AC
Frequency Range	47 - 63Hz
AC Current (MAX)	0.5A @100V AC
Power Factor (Typ.) Full Load	0.95 @277V AC
Efficiency (Typ.) Full Load	83%
Inrush Current (Typ.)	14A, 50%, 780us
Leakage Current	X < 0.50mA

OUTPUT

Output Voltage	24V DC
Rated Output Power	60W
Rated Load Current	2.50A
Voltage Tolerance	±0.5V
Voltage Regulation	±0.5%
Load Regulation	±1%

SAFETY & EMERGENCY

Safety Standard	UL8750
Withstand Voltage	I/P-OP: 1.88KV AC
Isolation Resistance	I/P-OP: 100MQ / 500V DC /50°C
Emergency Emission	FCC Part 15 B

ENVIRONMENT

Working Temp.	-40~+60°C (see below derating curve)
Working Humidity	20 ~ 90% RH, non-condensing
Storage Temp. Humidity	-40°C to +80°C (-40 °F to +140°F) 10~95%RH
Temp .coefficient	±0.03%/°C(0~50°C)

PROTECTION

Short Circuit	Shut down o/p voltage, re-power on to recover after fault condition is removed
Overloading	X ≤ 120% shut down o/p voltage, re-power on to recover
Over Temperature	100°C ± 10 (212°F) shut down o/p voltage, automatically recover after cooling.

OTHERS

Dimensions	7-3/8" L x 3-3/4" W x 1-1/2" H
Weights	2.2lb
Warranty	5 Years

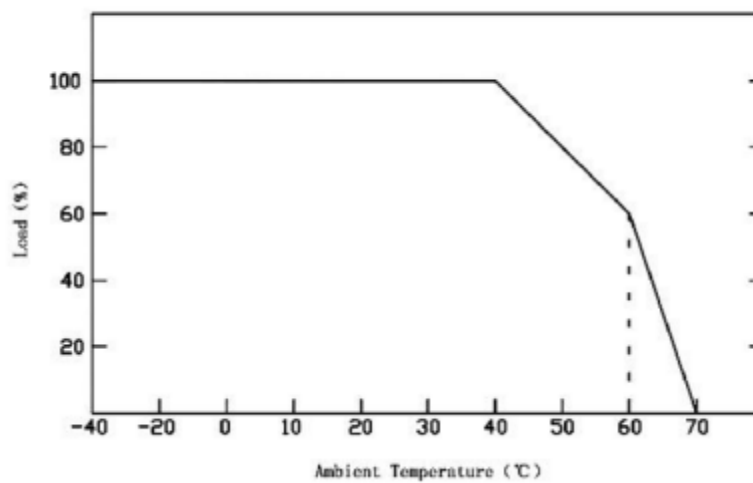


ORDERING STEPS

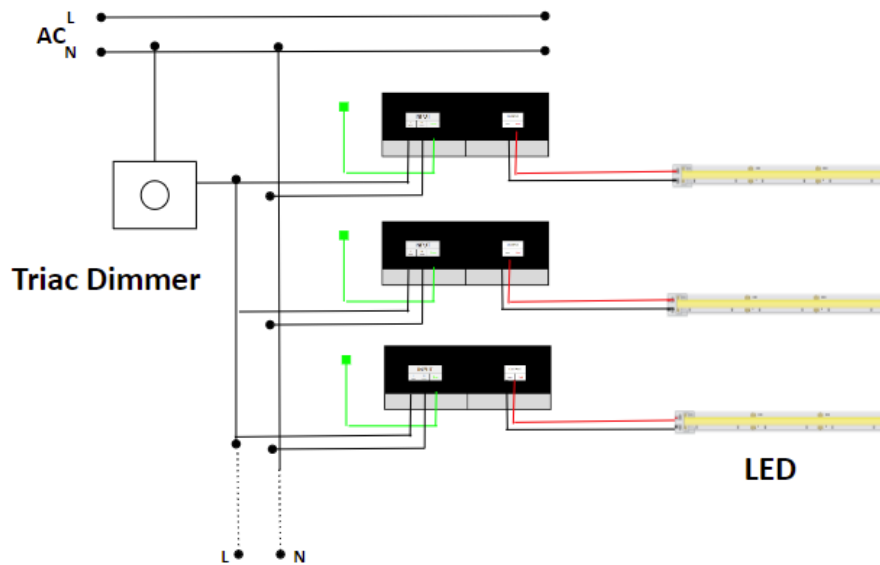
Product Purchasing Guideline

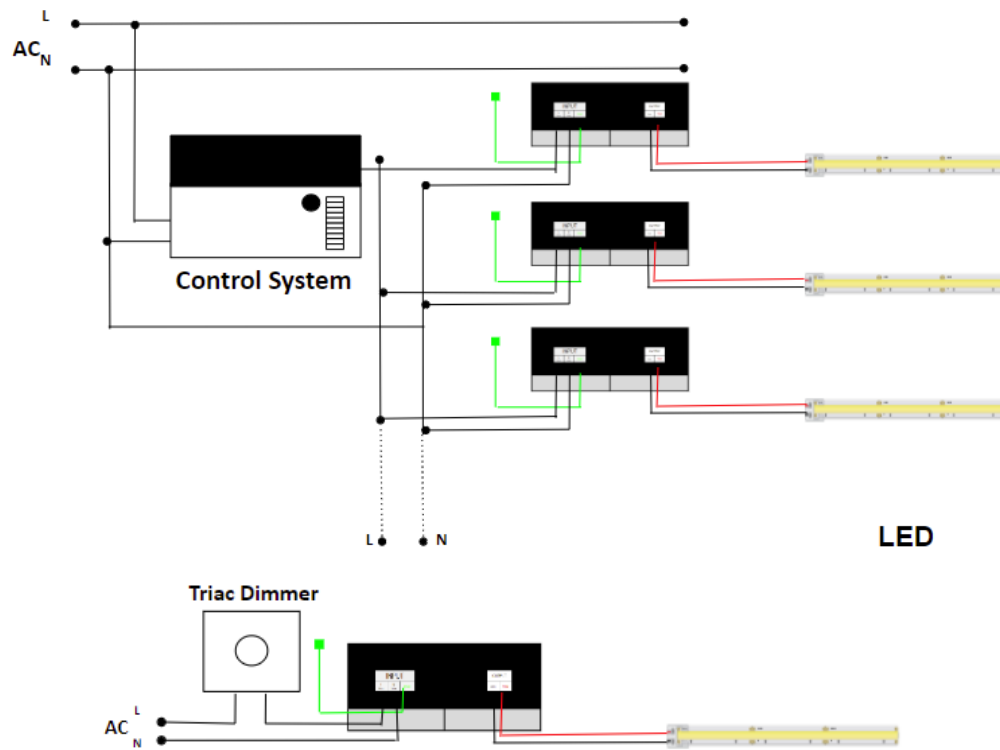
	Model Number	-	Voltage	-	Rated Power
Ex:	UNI	-	CV24DC	-	30W
			CV24DC CV24DC		60W 96W 200W 300W

DERATING CURVE

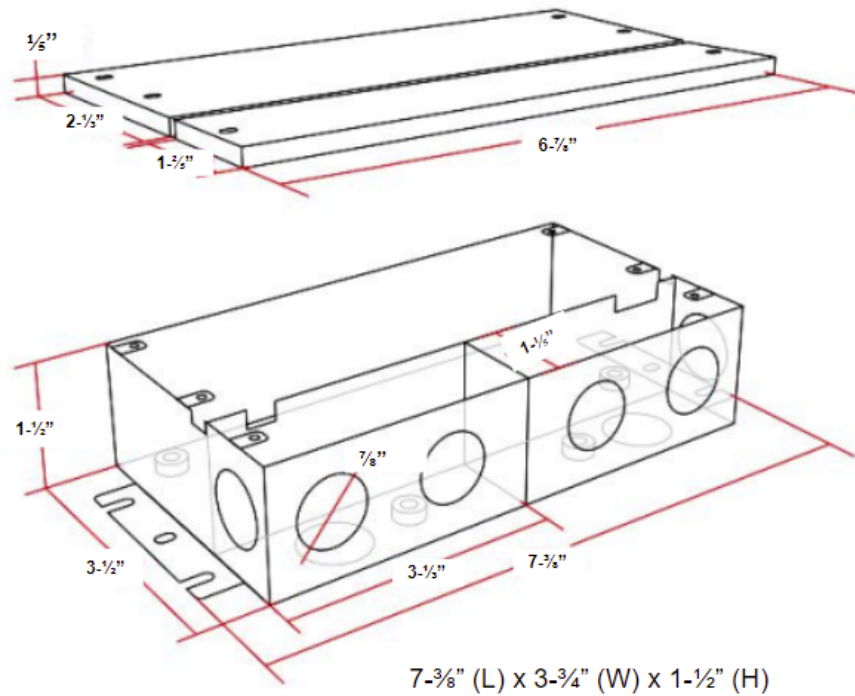


CONNECTING DIAGRAM





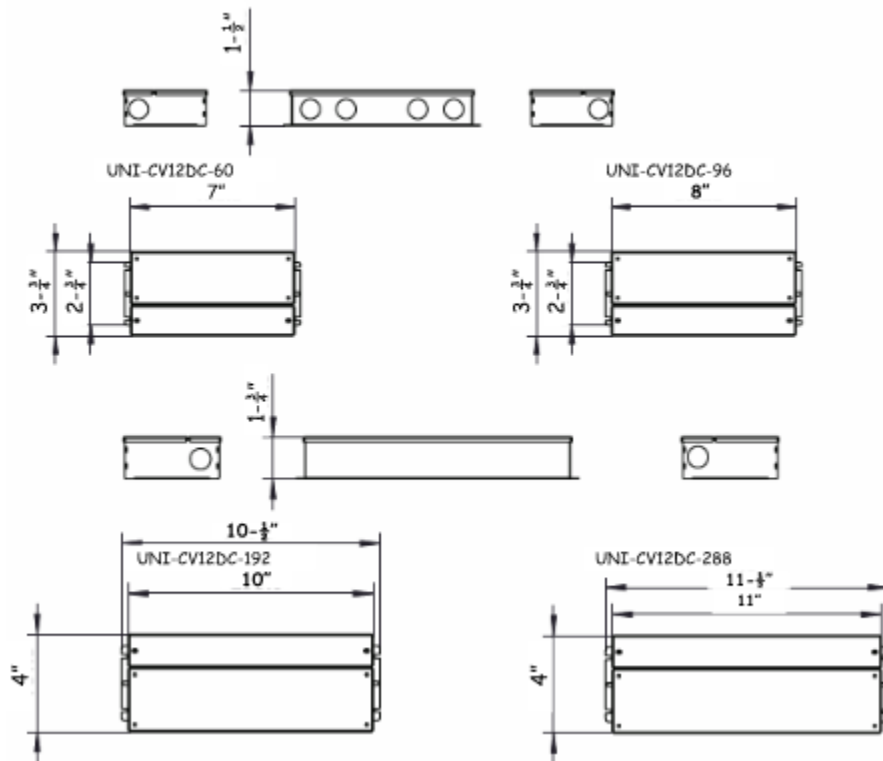
MECHANICAL SPECIFICATION





OTHER MODEL INFORMATION

Model	Specification	UNI-CV24DC-30	UNI-CV24DC-60	UNI-CV24DC-96	UNI-CV24DC-200	UNI-CV24DC-300
Output	Rated Voltage	24V	24V	24V	24V	24V
	Rated Current	1.25A	2.5A	4.0 (Class 2 Type)	8.33A	12.5A
	Rated Power	30W	60W	96W	200W	300W
	Voltage Regulation	±5%	±5%	±5%	±5%	±5%
Input	Voltage Range	100-277VAC	100-277VAC	100-277VAC	100-277VAC	100-277VAC
	Efficiency	79%	83%	83%	86%	88%
	AC Current Range	0.5A @100VAC	0.9A @100VAC	1.3A @100VAC	2.3A @110VAC	3.4A @110VAC
	Dimension	6-1/2" L x 3-3/4" W x 1-1/2" H	7-3/8" L x 3-3/4" W x 1-1/2" H	8-3/4" L x 3-3/4" W x 1-1/2" H	10-1/2" L x 4" W x 1-3/4" H	11-1/2"(L) x 4"(W) x 1-1/2" x (H)
Protection	Short Circuit: Hiccup Mode, Recovers automatically after a fault condition is removed.					





IMPORTANT NOTE:

1. If not otherwise specified, all parameters are measured at 120VAC input, rated load, and 25°C ambient temperature.
2. To extend the driver's using life, please reduce the loading at lower input voltage.
3. The Pulse-Width Modulation (PWM) of the output voltage can be adjusted through the input terminal of the AC phase line(L) by connecting a phase/Triac dimmer.
4. Usually matching with Forwarding phase, leading-edge, Magnetic low voltage, Triac dimmers, or Reverse-phase, trailing edge, Electric low voltage Dimmers.
5. Please try to use dimmers with power at least 1.5 times as the output power of the driver.
6. This driver should be installed by a qualified and professional person.
7. Please make sure the driver is installed with adequate ventilation around it to allow for heat dissipation.
8. Ensure that wiring is correct before the test in order to avoid light and power supply damage.
9. If the dimmable LED drivers do not work normally, please contact us for assistance at sales@infigreen.com.
10. Visit Our Official Website: www.infigreen.com



Brand	Model No.	Input Voltage	Dimmer Range	Foward/Reverse Phase	Compatibility Remark
LUTRON	DVCL-153PR-WH	100-130V	0-100%	Forward Phase	Note: Dimmers with spin button (min. adjust dimming from 0-30%)
	DVWCL-153PH-LA	100-130V	0-100%	Forward Phase	
	CTCL-153PDH-LA	100-130V	0-100%	Forward Phase	
	TGCL-153PR-WH	100-130V	0-100%	Forward Phase	
	SCL-153PR-WH	100-130V	0-100%	Forward Phase	
	TGCL-153PH-WH	100-130V	0-100%	Forward Phase	OK
	MACL-153MH-LA	100-130V	20-100%	Forward Phase	OK
	CT-600PR-IV	100-130V	0-100%	Forward Phase	OK
	CT-600PR-WH	100-130V	0-100%	Forward Phase	OK
	CT-103PR-WH	100-130V	0-100%	Forward Phase	OK
	DV-600PR-BL	100-130V	0-100%	Forward Phase	OK
	DV-600PR-WH	100-130V	0-100%	Forward Phase	OK
	TG-600PR-LA	100-130V	0-100%	Forward Phase	OK
	TG-600PR-IV	100-130V	0-100%	Forward Phase	OK
	TG-600PR-WH	100-130V	0-100%	Forward Phase	OK
	TG-103PR-WH	100-130V	0-100%	Forward Phase	OK
	S-600PR-WH	100-130V	0-100%	Forward Phase	OK
	MIR-600M	100-130V	2-100%	Forward Phase	OK
	TG-600PR-LA	100-130V	4-100%	Forward Phase	OK
	TG-600PR-IV	100-130V	0-100%	Forward Phase	OK
	TG-600PR-WH	100-130V	0-100%	Forward Phase	OK
	TG-600PR-WH	100-130V	0-100%	Forward Phase	OK
	S-600PR-WH	100-130V	0-100%	Forward Phase	OK
	MRF2-6ND-120-AL	100-130V	0-100%	Forward Phase	OK
	MSCELV-600M	100-130V	0-100%	Reserve Phase	OK
	MEF2-6ELV-120	100-130V	0-100%	Reserve Phase	OK
	MRF2-6CL-GR	100-130V	15-100%	Forward Phase	OK
	DZ6HD	100-130V	22-100%	Forward Phase	OK
PD-6WCL	100-130V	19-100%	Forward Phase	OK	
PD-5NE-WH	100-130V	18-100%	Forward Phase	OK	



Brand	Model No.	Input Voltage	Dimmer Range	Foward/Reverse Phase	Compatibility Remark
LUTRON (Con.)	NTLV-600-277-WH	277V	1-100%	Forward Phase	OK
	ST-12P-277	277V	12-100%	Forward Phase	OK
	NTF-10-277	277V	1-100%	Forward Phase	OK
	DVELV-300P-WH	100-130V	20-100%	Reserve Phase	OK
	SELV-300P	100-130V	15-100%	Reserve Phase	OK
LEVITON	VPI06-1LZ	100-130VAC	15-100%	Forward Phase	OK
	TTI06-1LZ	100-130VAC	1-100%	Forward Phase	OK
	IPL06	100-130VAC	15-100%	Forward Phase	OK
	DZ6HD	100-130VAC	17-100%	Forward Phase	OK
	TBL03	100-130VAC	15-100%	Forward Phase	OK
	6672	100-130VAC	20-100%	Forward Phase	OK
	6602	100-130VAC	0-100%	Forward Phase	OK
	6674	100-130VAC	16-100%	Forward Phase	OK
	AWSMT-EAW	100-130VAC	0-100%	Reserve Phase	OK
	AWSMT-EAW	277VAC	0-100%	Reserve Phase	OK
	6683	100-130VAC	10-100%	Forward Phase	OK
LEGRAND	WSCL450TCCCV4	100-130V	11-100%	Forward Phase	OK
	LSCL453PLACCV4	100-130V	11-100%	Forward Phase	OK
	RHCL453PNICCV6	100-130V	6-100%	Forward Phase	OK
CRESTRON	CLW-DELVEX-P-W-S	100-130V	11-100%	Reserve Phase	OK