



**PRODUCT FEATURES**



- Output constant voltage
- Input voltage range 100-277VAC
- Built-in PFC function, PF> 0.98
- Efficiency > 83% / load:10~100%
- Protections:short circuit/over voltage/over heat
- Cooling by free air convection
- Work with leading edge and trailing edge triac dimmers available
- PWM output, does not change the color index
- Metal housing, suitable for dry, damp, wet location
- Strong compatibility
- Suitable for LED lighting and moving sign applications
- Compatible with Forward phase, Reverse phase, Triac, DVCL, ELV Dimmers

**SPECIFICATIONS INFORMATION**

**INPUT**

|                               |                 |
|-------------------------------|-----------------|
| Input Voltage/Range           | 100 - 277V AC   |
| Frequency Range               | 47 - 63Hz       |
| AC Current (MAX)              | 0.5A @100V AC   |
| Power Factor (Typ.) Full Load | 0.96 @277V AC   |
| Efficiency (Typ.) Full Load   | 83%             |
| Inrush Current (Typ.)         | 20A, 50%, 1.6ms |
| Leakage Current               | X < 0.50mA      |

**OUTPUT**

|                    |        |
|--------------------|--------|
| Output Voltage     | 24V DC |
| Rated Output Power | 96W    |
| Rated Load Current | 4.0A   |
| Voltage Tolerance  | ±0.5V  |
| Voltage Regulation | ±0.5%  |
| Load Regulation    | ±1%    |

**SAFETY & EMERGENCY**

|                      |                                 |
|----------------------|---------------------------------|
| Safety Standard      | UL8750 + UL1310                 |
| Withstand Voltage    | I/P-OP: 3.75KV AC               |
| Isolation Resistance | I/P-O/P:100MΩ/500VDC/25°C/70%RH |
| Emergency Emission   | FCC Part 15 B                   |

**ENVIRONMENT**

|                        |   |
|------------------------|---|
| Working Temp.          | -40~+60°C (see below derating curve)          |
| Working Humidity       | 20 ~ 90% RH, non-condensing                   |
| Storage Temp. Humidity | -40°C to +80°C (-40 °F to +140°F)<br>10~95%RH |
| Temp .coefficient      | ±0.03%/°C(0~50°C)                             |

**PROTECTION**

|                  |  |
|------------------|--|
| Short Circuit    | Shut down o/p voltage, re-power on to recover after fault condition is removed |
| Overloading      | X ≤ 120% shut down o/p voltage, re-power on to recover                         |
| Over Temperature | 100°C ± 10 (212°F) shut down o/p voltage, automatically recover after cooling. |

**OTHERS**

|            |                                |
|------------|--------------------------------|
| Dimensions | 8-3/4" L x 3-3/4" W x 1-1/2" H |
| Weights    | 2.4lb                          |
| Warranty   | 5 Years                        |

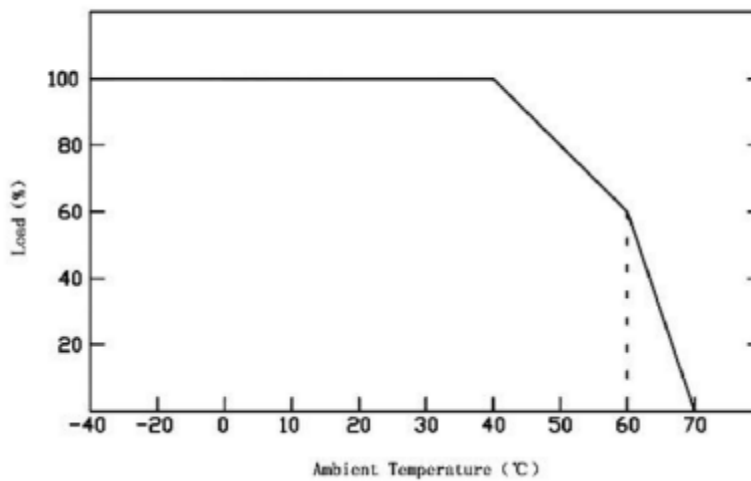


## ORDERING STEPS

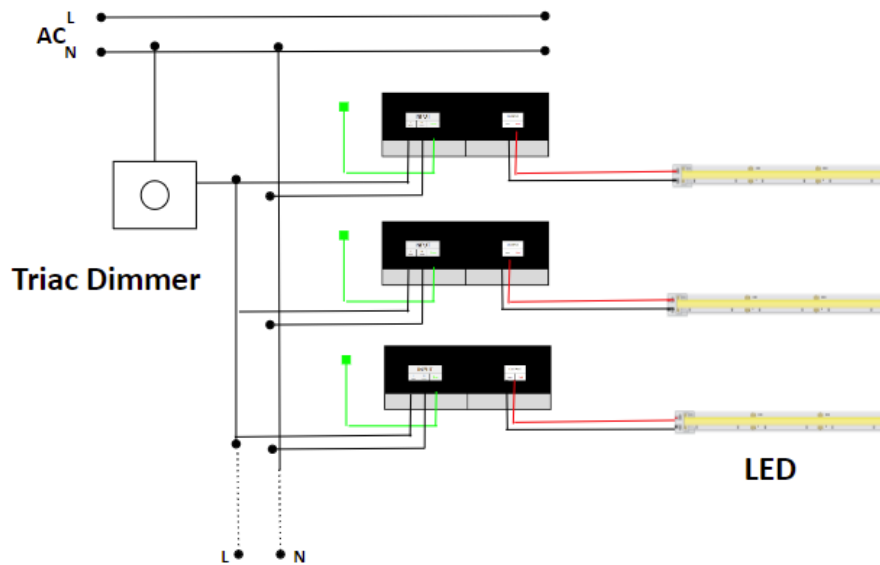
### Product Purchasing Guideline

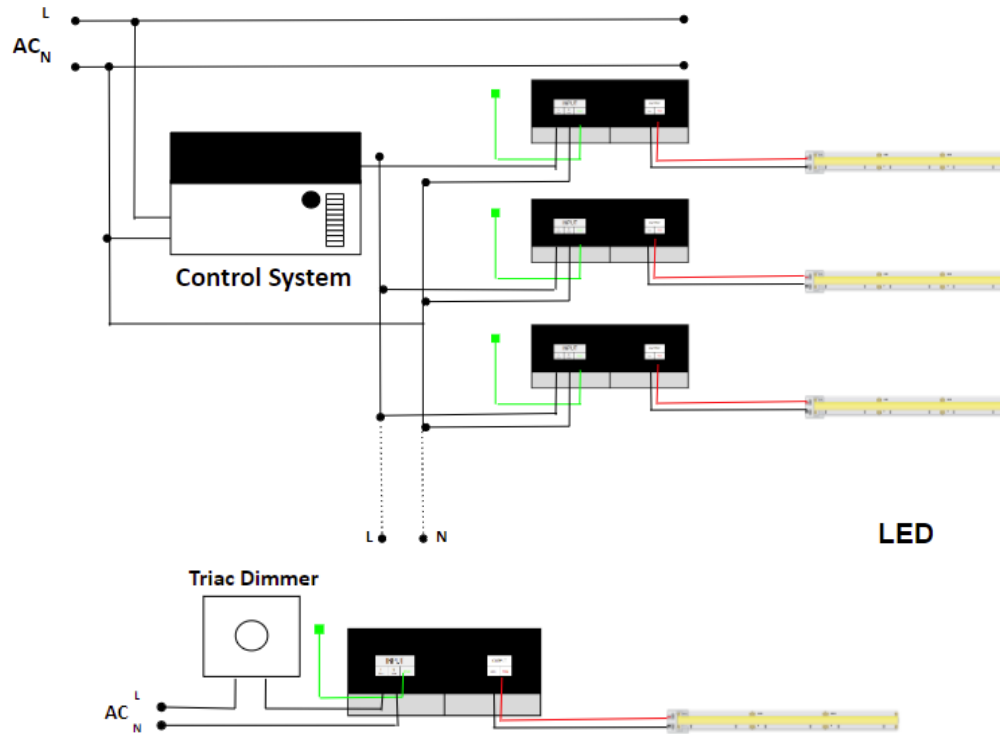
|     | Model Number | - | Voltage          | - | Rated Power                |
|-----|--------------|---|------------------|---|----------------------------|
| Ex: | UNI          | - | CV24DC           | - | 30W                        |
|     |              |   | CV24DC<br>CV24DC |   | 60W<br>96W<br>200W<br>300W |

### DERATING CURVE

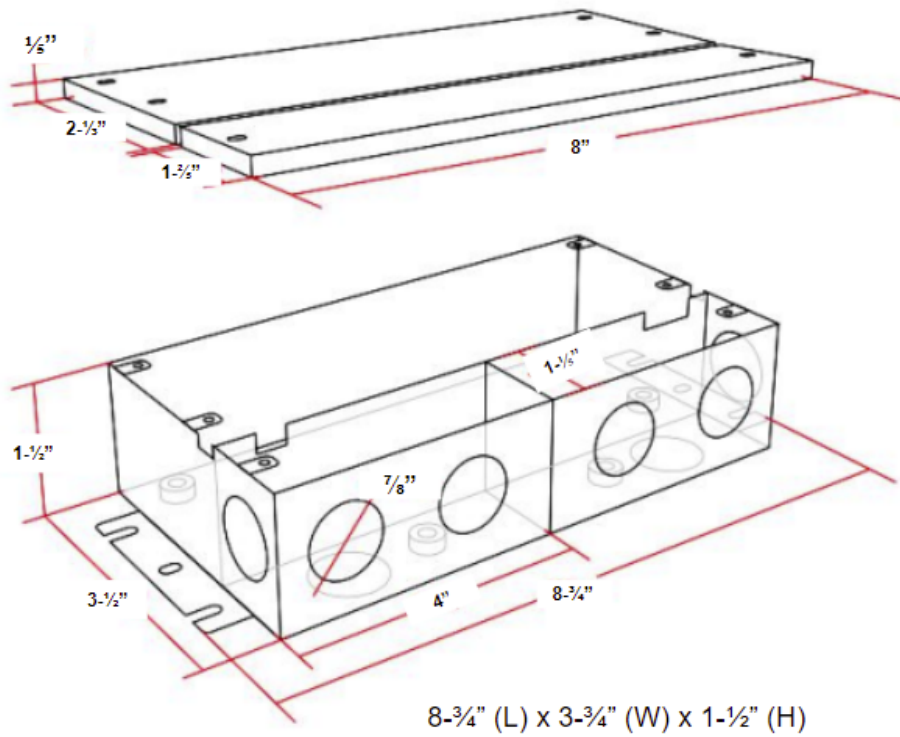


### CONNECTING DIAGRAM





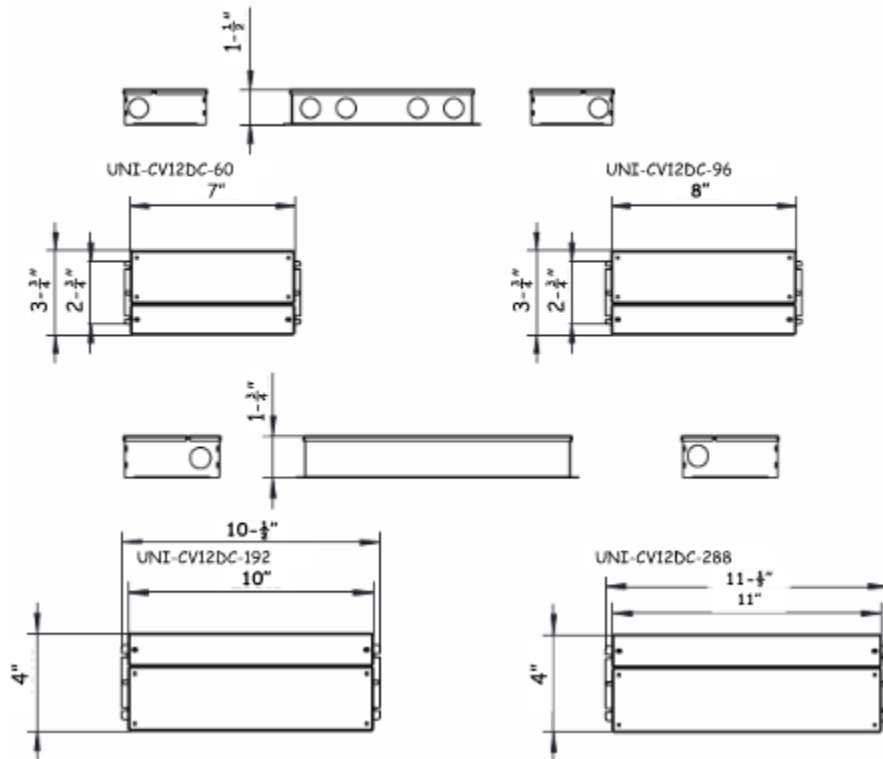
**MECHANICAL SPECIFICATION**





**OTHER MODEL INFORMATION**

| Model             | Specification  | UNI-CV24DC-30                  | UNI-CV24DC-60                  | UNI-CV24DC-96                  | UNI-CV24DC-200              | UNI-CV24DC-300                    |
|-------------------|--|--------------------------------|--------------------------------|--------------------------------|-----------------------------|-----------------------------------|
| <b>Output</b>     | Rated Voltage  | 24V                            | 24V                            | 24V                            | 24V                         | 24V                               |
|                   | Rated Current  | 1.25A                          | 2.5A                           | 4.0 (Class 2 Type)             | 8.33A                       | 12.5A                             |
|                   | Rated Power  | 30W                            | 60W                            | 96W                            | 200W                        | 300W                              |
|                   | Voltage Regulation   | ±5%                            | ±5%                            | ±5%                            | ±5%                         | ±5%                               |
| <b>Input</b>      | Voltage Range  | 100-277VAC                     | 100-277VAC                     | 100-277VAC                     | 100-277VAC                  | 100-277VAC                        |
|                   | Efficiency   | 79%                            | 83%                            | 83%                            | 86%                         | 88%                               |
|                   | AC Current Range   | 0.5A @100VAC                   | 0.9A @100VAC                   | 1.3A @100VAC                   | 2.3A @110VAC                | 3.4A @110VAC                      |
|                   | Dimension  | 6-1/2" L x 3-3/4" W x 1-1/2" H | 7-3/8" L x 3-3/4" W x 1-1/2" H | 8-3/4" L x 3-3/4" W x 1-1/2" H | 10-1/2" L x 4" W x 1-3/4" H | 11-1/2"(L) x 4"(W) x 1-1/2" x (H) |
| <b>Protection</b> | Short Circuit: Hiccup Mode, Recovers automatically after a fault condition is removed. |                                |                                |                                |                             |                                   |





**IMPORTANT NOTE:**

1. If not otherwise specified, all parameters are measured at 120VAC input, rated load, and 25°C ambient temperature.
2. To extend the driver's operating life, please reduce the loading at lower input voltage.
3. The Pulse-Width Modulation (PWM) of the output voltage can be adjusted through the input terminal of the AC phase line(L) by connecting a phase/Triac dimmer.
4. Usually matched with Forwarding phase, leading-edge, Magnetic low voltage, Triac dimmers, or Reverse-phase, trailing edge, Electric low voltage Dimmers.
5. Please try to use dimmers with power at least 1.5 times the output power of the driver.
6. This driver should be installed by a qualified and professional person.
7. Please make sure the driver is installed with adequate ventilation around it to allow for heat dissipation.
8. Ensure that wiring is correct before the test in order to avoid light and power supply damage.
9. If the dimmable LED drivers do not work normally, please contact us for assistance at [sales@infigreen.com](mailto:sales@infigreen.com).
10. Visit Our Official Website: [www.infigreen.com](http://www.infigreen.com)



| Brand     | Model No.       | Input Voltage | Dimmer Range  | Foward/Reverse Phase | Compatibility Remark  |
|-----------|-----------------|---------------|---------------|----------------------|---|
| LUTRON    | DVCL-153PR-WH   | 100-130V      | 0-100%        | Forward Phase        | Note: Dimmers with spin button (min. adjust dimming from 0-30%) |
|           | DVWCL-153PH-LA  | 100-130V      | 0-100%        | Forward Phase        |   |
|           | CTCL-153PDH-LA  | 100-130V      | 0-100%        | Forward Phase        |   |
|           | TGCL-153PR-WH   | 100-130V      | 0-100%        | Forward Phase        |   |
|           | SCL-153PR-WH    | 100-130V      | 0-100%        | Forward Phase        |   |
|           | TGCL-153PH-WH   | 100-130V      | 0-100%        | Forward Phase        | OK  |
|           | MACL-153MH-LA   | 100-130V      | 20-100%       | Forward Phase        | OK  |
|           | CT-600PR-IV     | 100-130V      | 0-100%        | Forward Phase        | OK  |
|           | CT-600PR-WH     | 100-130V      | 0-100%        | Forward Phase        | OK  |
|           | CT-103PR-WH     | 100-130V      | 0-100%        | Forward Phase        | OK  |
|           | DV-600PR-BL     | 100-130V      | 0-100%        | Forward Phase        | OK  |
|           | DV-600PR-WH     | 100-130V      | 0-100%        | Forward Phase        | OK  |
|           | TG-600PR-LA     | 100-130V      | 0-100%        | Forward Phase        | OK  |
|           | TG-600PR-IV     | 100-130V      | 0-100%        | Forward Phase        | OK  |
|           | TG-600PR-WH     | 100-130V      | 0-100%        | Forward Phase        | OK  |
|           | TG-103PR-WH     | 100-130V      | 0-100%        | Forward Phase        | OK  |
|           | S-600PR-WH      | 100-130V      | 0-100%        | Forward Phase        | OK  |
|           | MIR-600M        | 100-130V      | 2-100%        | Forward Phase        | OK  |
|           | TG-600PR-LA     | 100-130V      | 4-100%        | Forward Phase        | OK  |
|           | TG-600PR-IV     | 100-130V      | 0-100%        | Forward Phase        | OK  |
|           | TG-600PR-WH     | 100-130V      | 0-100%        | Forward Phase        | OK  |
|           | TG-600PR-WH     | 100-130V      | 0-100%        | Forward Phase        | OK  |
|           | S-600PR-WH      | 100-130V      | 0-100%        | Forward Phase        | OK  |
|           | MRF2-6ND-120-AL | 100-130V      | 0-100%        | Forward Phase        | OK  |
|           | MSCELV-600M     | 100-130V      | 0-100%        | Reserve Phase        | OK  |
|           | MEF2-6ELV-120   | 100-130V      | 0-100%        | Reserve Phase        | OK  |
|           | MRF2-6CL-GR     | 100-130V      | 15-100%       | Forward Phase        | OK  |
|           | DZ6HD           | 100-130V      | 22-100%       | Forward Phase        | OK  |
| PD-6WCL   | 100-130V        | 19-100%       | Forward Phase | OK                   |   |
| PD-5NE-WH | 100-130V        | 18-100%       | Forward Phase | OK                   |   |



| Brand                    | Model No.        | Input Voltage | Dimmer Range | Foward/Reverse Phase | Compatibility Remark |
|--------------------------|------------------|---------------|--------------|----------------------|----------------------|
| <b>LUTRON<br/>(Con.)</b> | NTLV-600-277-WH  | 277V          | 1-100%       | Forward Phase        | OK                   |
|                          | ST-12P-277       | 277V          | 12-100%      | Forward Phase        | OK                   |
|                          | NTF-10-277       | 277V          | 1-100%       | Forward Phase        | OK                   |
|                          | DVELV-300P-WH    | 100-130V      | 20-100%      | <b>Reserve Phase</b> | OK                   |
|                          | SELV-300P        | 100-130V      | 15-100%      | <b>Reserve Phase</b> | OK                   |
| <b>LEVITON</b>           | VPI06-1LZ        | 100-130VAC    | 15-100%      | Forward Phase        | OK                   |
|                          | TTI06-1LZ        | 100-130VAC    | 1-100%       | Forward Phase        | OK                   |
|                          | IPL06            | 100-130VAC    | 15-100%      | Forward Phase        | OK                   |
|                          | DZ6HD            | 100-130VAC    | 17-100%      | Forward Phase        | OK                   |
|                          | TBL03            | 100-130VAC    | 15-100%      | Forward Phase        | OK                   |
|                          | 6672             | 100-130VAC    | 20-100%      | Forward Phase        | OK                   |
|                          | 6602             | 100-130VAC    | 0-100%       | Forward Phase        | OK                   |
|                          | 6674             | 100-130VAC    | 16-100%      | Forward Phase        | OK                   |
|                          | AWSMT-EAW        | 100-130VAC    | 0-100%       | <b>Reserve Phase</b> | OK                   |
|                          | AWSMT-EAW        | 277VAC        | 0-100%       | <b>Reserve Phase</b> | OK                   |
|                          | 6683             | 100-130VAC    | 10-100%      | Forward Phase        | OK                   |
| <b>LEGRAND</b>           | WSCL450TCCCV4    | 100-130V      | 11-100%      | Forward Phase        | OK                   |
|                          | LSCL453PLACCV4   | 100-130V      | 11-100%      | Forward Phase        | OK                   |
|                          | RHCL453PNICCV6   | 100-130V      | 6-100%       | Forward Phase        | OK                   |
| <b>CRESTRON</b>          | CLW-DELVEX-P-W-S | 100-130V      | 11-100%      | <b>Reserve Phase</b> | OK                   |