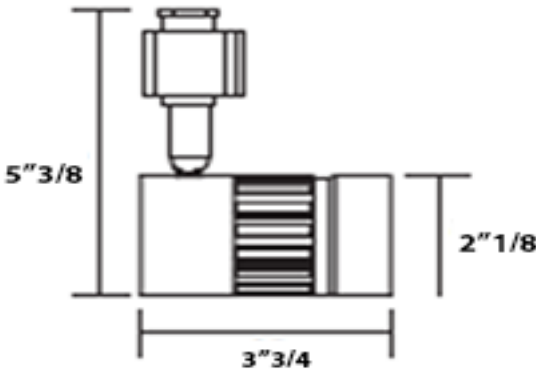


Infinity Green Lighting

1LED 9W ROUND TRACK LIGHT

Type	
Project	
Catalog No.	



ADAPTORS FOR CHOICE



H-Type Adaptor



J-Type Adaptor



L-Type Adaptor

Model # : IG-TR-011-9W

Rated Wattage	9W			
Input Voltage	120V			
Color Temp	2700K*	3000K	4000K*	5000K
Lumens	660	680	760	760
Beam Angle	*24°	38°	*60°	
CRI	82			
Dimmable	Yes			

*Made To Order

Specifications

- Ideal for accent lighting of shops, museums, galleries, schools, hotels, and homes
- Equivalent to 50 watts of Halogen MR16 track light
- Operating temperature range is -20°C to 40°C ambient
- Warranty: 3 Years
- Certifications: UL Approved

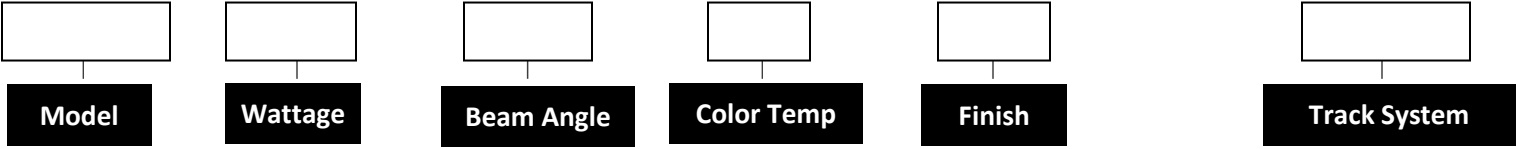
Features

- **CAMETA™** Design: anti-glare, 80lm/W
- CREE COB LED, no shadow, strong penetrability
- Dimmable Diver: Dimming range from 100% to 10% with Electronic low voltage (EVLV) dimmer 120V only
- Design: unique, invisible wires, fashion, color finish(White, Black)
- Adjustable: continuous 350° rotation and 330° pivot
- Compared to metal halide: instant start, no noise and environment-friendly

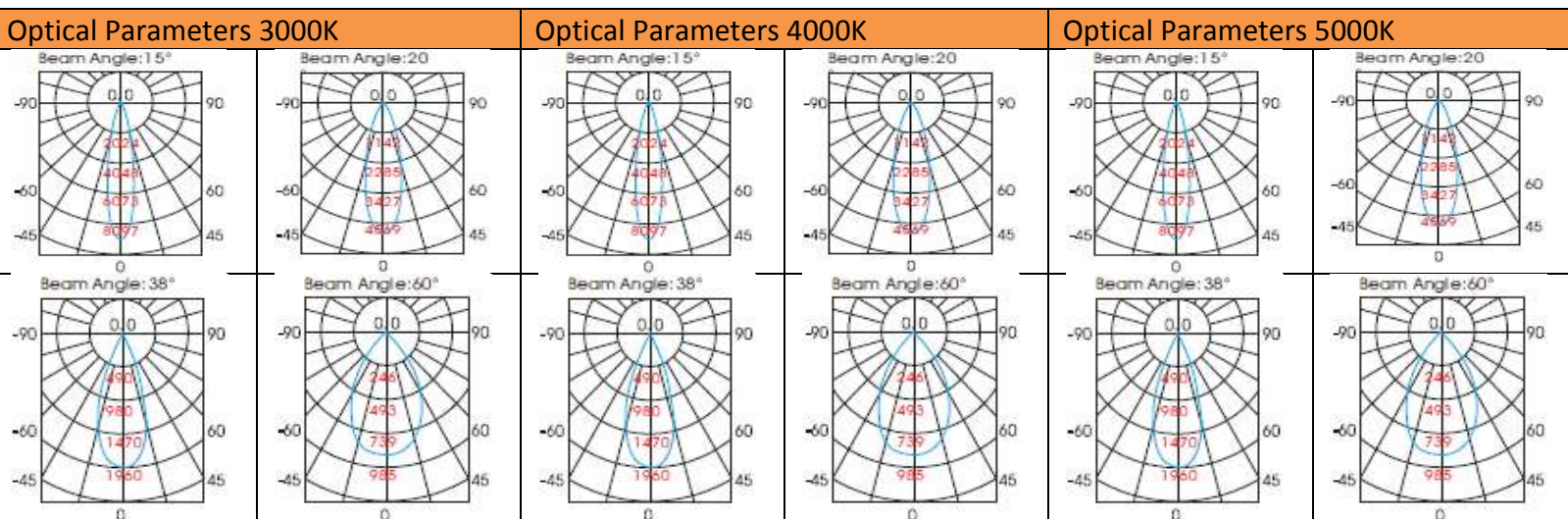
1LED 9W ROUND TRACK LIGHT

Ordering Information:

Example :IG-TR-011-9W-24-27-BK-H



IG-TR-011 **9W =9 Watts** **24 = *24 °** **27 = 2700K*** **BK = Black** **H = H-Track**
38 = 38 ° **30 = 3000K** **WH= White** **L = L-Track**
60 = *60 ° **40 = 4000K*** **J = J-Track**
50 = 5000K



BEAM ANGLE 38 DEG 3000K

Distance(m)	Avg./Max. E(lux)	Diameter(m)
1	1399.7/1960.1	0.60
2	349.9/490.0	1.21
3	155.5/217.8	1.81
4	87.5/110.8	2.42
5	56.0/78.4	3.02

BEAM ANGLE 38 DEG 4000K

Distance(m)	Avg./Max. E(lux)	Diameter(m)
1	1514.1/2120.4	0.60
2	378.5/530.12	1.21
3	168.2/235.6	1.81
4	94.6/132.5	2.42
5	60.6/84.8	3.02

BEAM ANGLE 38 DEG 5000K

Distance(m)	Avg./Max. E(lux)	Diameter(m)
1	1514.1/2120.4	0.60
2	378.5/530.12	1.21
3	168.2/235.6	1.81
4	94.6/132.5	2.42
5	60.6/84.8	3.02

BEAM ANGLE 60 DEG 3000K

Distance(m)	Avg./Max. E(lux)	Diameter(m)
1	1463.0/2294.3	1.02
2	365.7/573.6	2.05
3	162.6/254.9	3.07
4	91.4/143.4	4.09
5	58.5/91.8	5.12

BEAM ANGLE 60 DEG 4000K

Distance(m)	Avg./Max. E(lux)	Diameter(m)
1	1545.5/2423.7	1.02
2	386.4/605.9	2.05
3	171.7/269.3	3.07
4	96.6/151.5	4.09
5	61.8/185	5.12

BEAM ANGLE 60 DEG 5000K

Distance(m)	Avg./Max. E(lux)	Diameter(m)
1	1545.5/2423.7	1.02
2	386.4/605.9	2.05
3	171.7/269.3	3.07
4	96.6/151.5	4.09
5	61.8/185	5.12